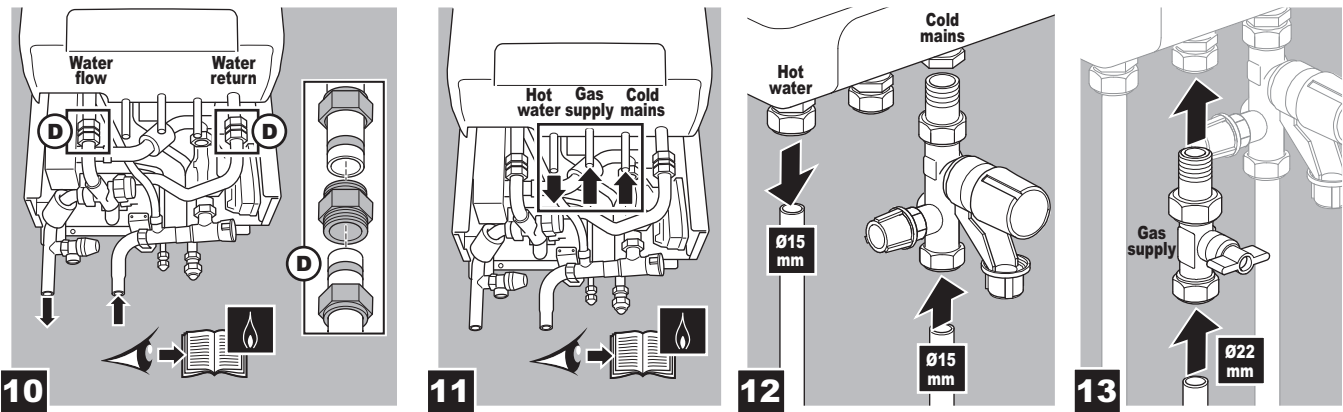
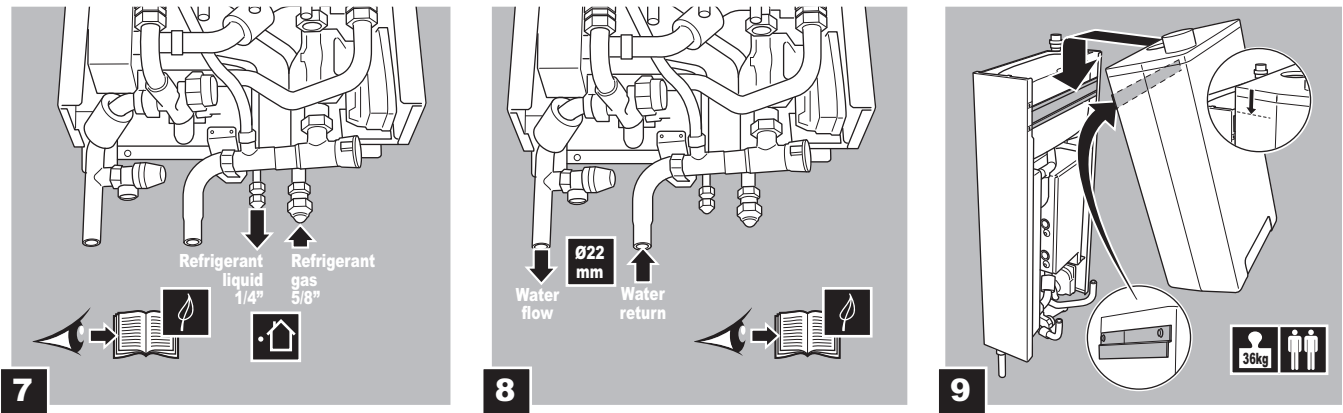
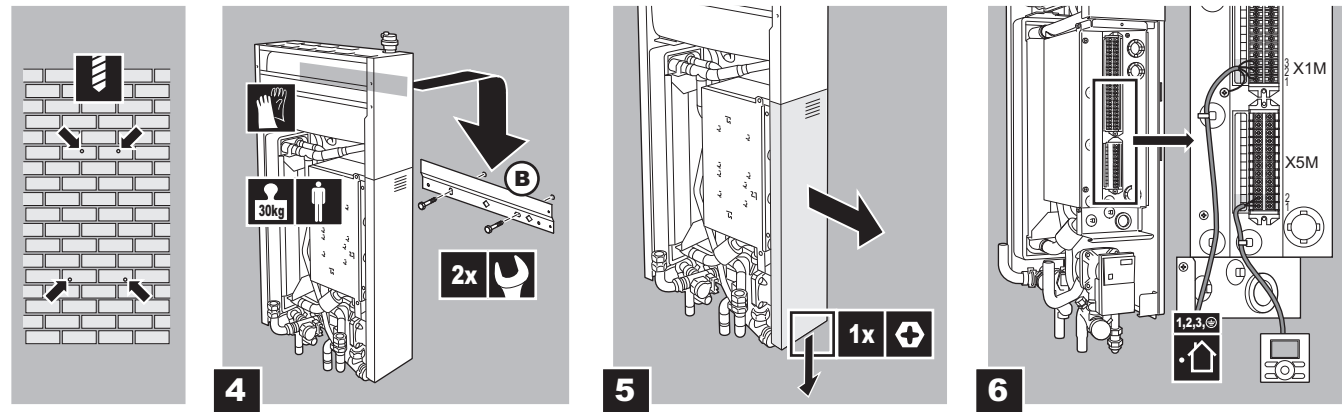
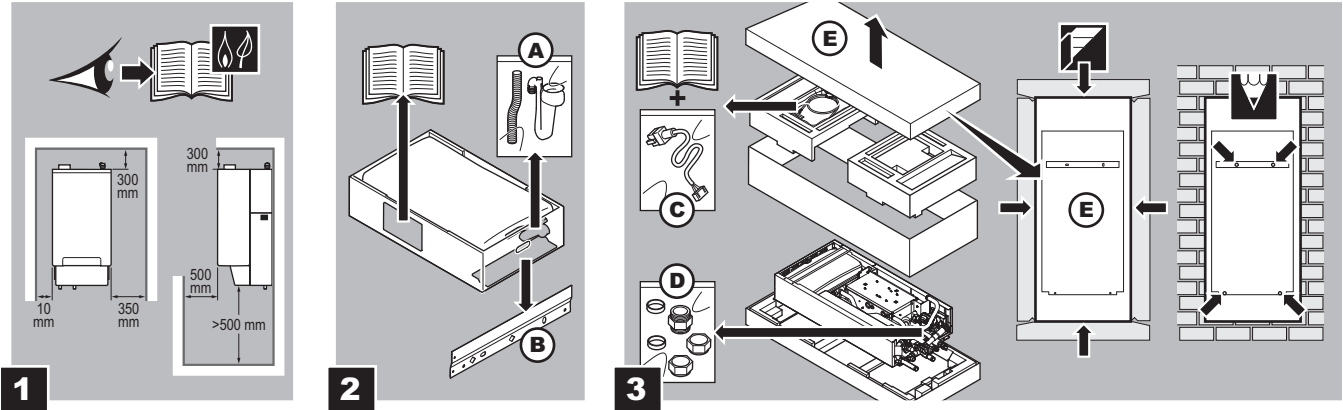
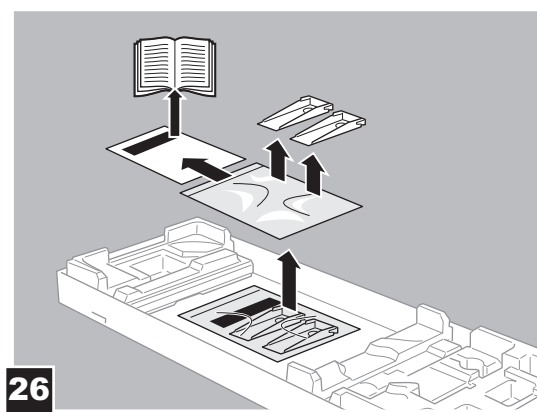
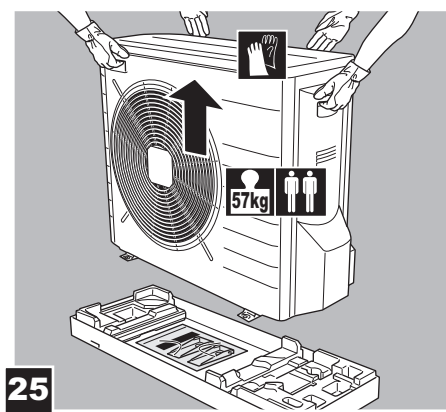
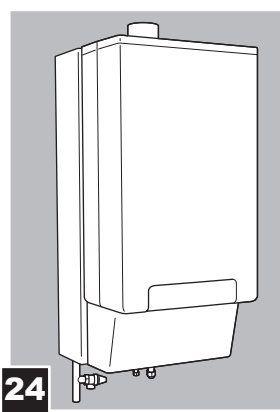
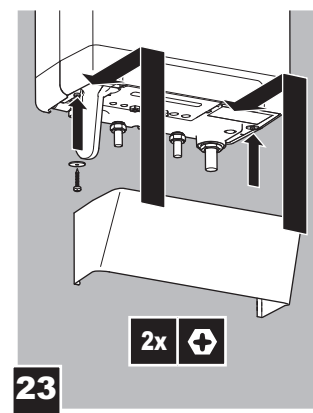
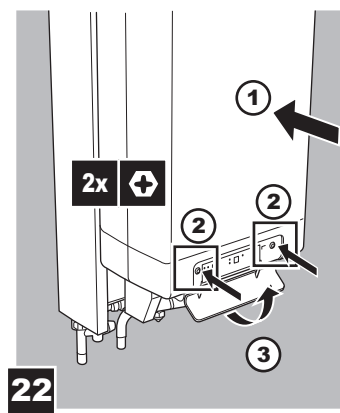
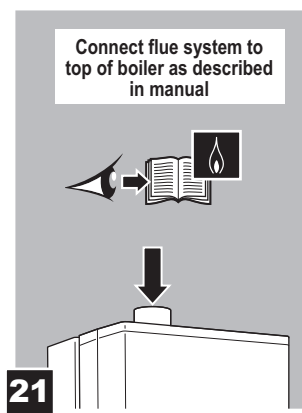
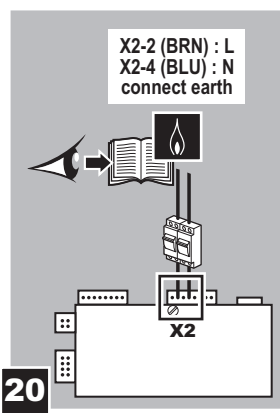
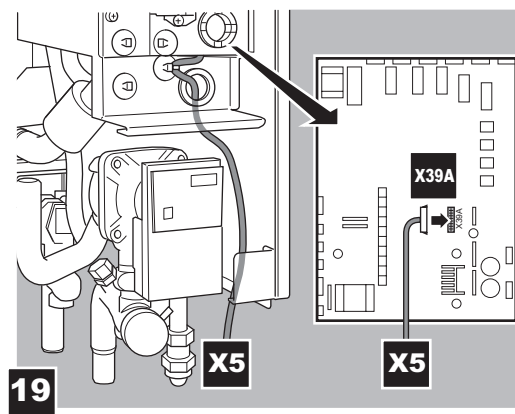
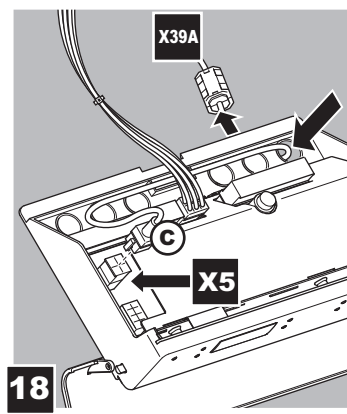
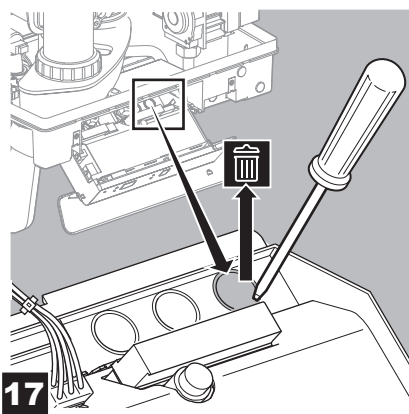
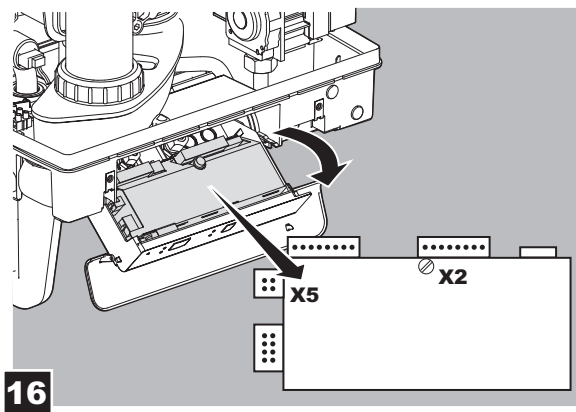
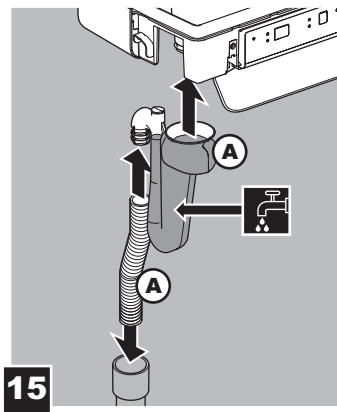
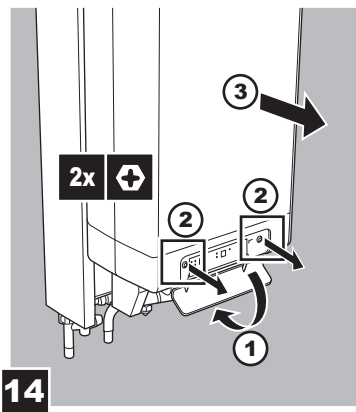
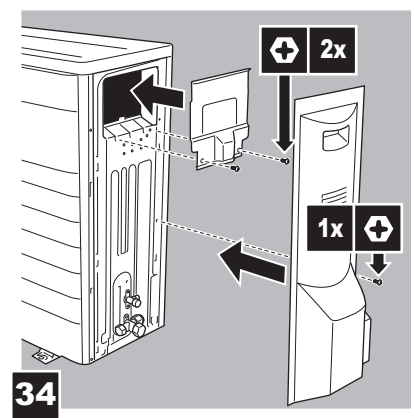
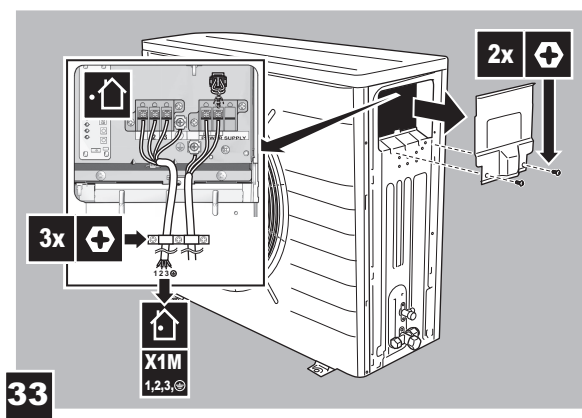
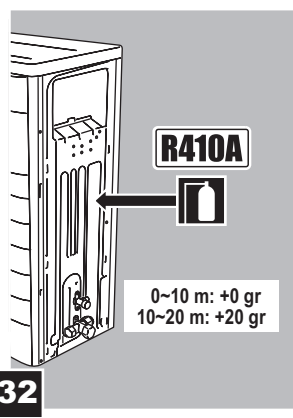
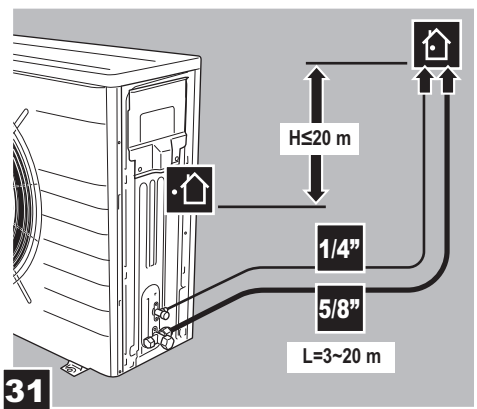
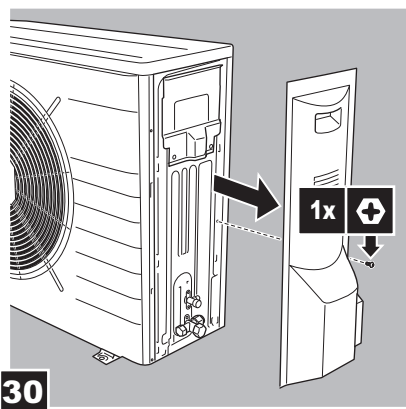
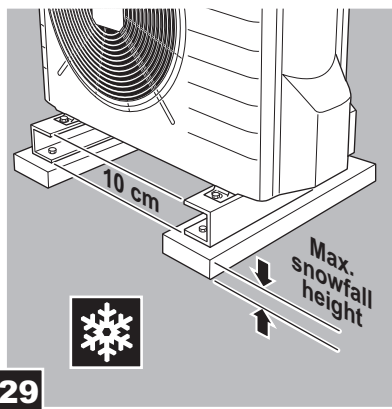
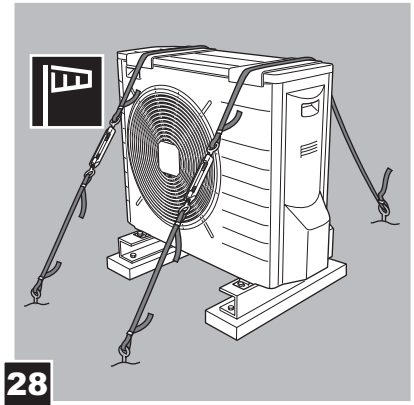
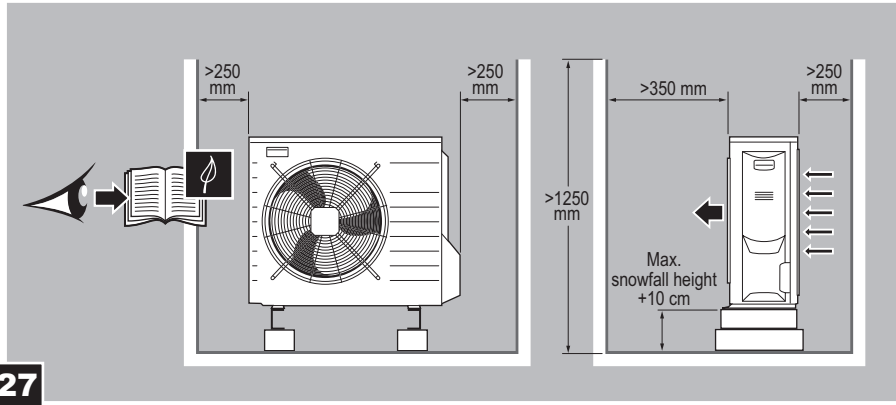


Installation in a nutshell







35

⚠

Set boiler parameter \bar{E} .

$\bar{E} = 1 \rightarrow *HYHBX08AAV3$

$\bar{E} = 0 \rightarrow *HYHBH08AAV3/*HYHBH05AAV3$

👁️📖

In case of UA-52 error	
Cause	Possible solution
Boiler parameter \bar{E} . is not set correctly	Set boiler parameter \bar{E} . correctly
Software incompatibility between boiler and heat pump	Reprogram the boiler

