

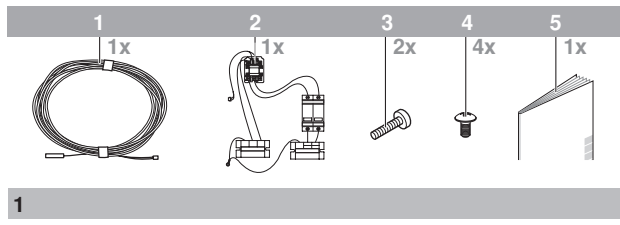


INSTALLATION MANUAL

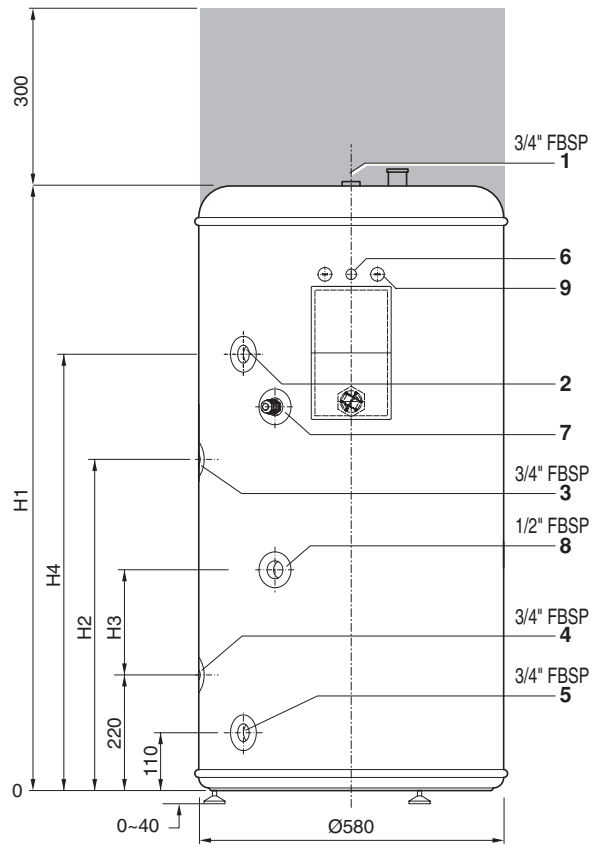
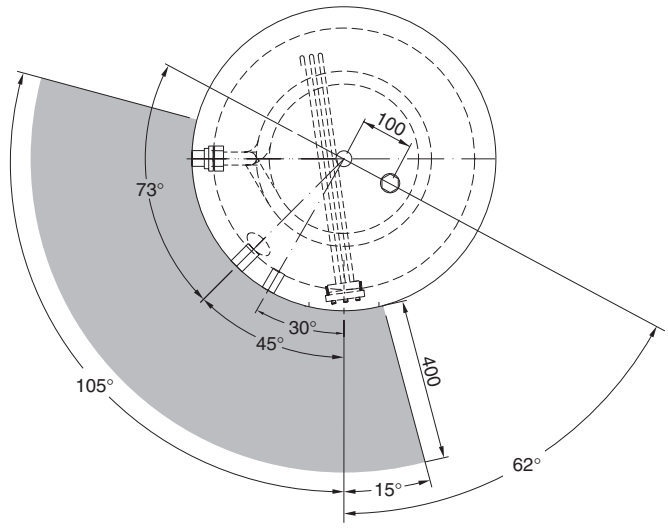
Domestic hot water tank for air to water heat pump system

**EKHWS150A3V3
EKHWS200A3V3
EKHWS300A3V3**

**EKHWS200A3Z2
EKHWS300A3Z2**



1



2

CONTENTS

	Page
Introduction	1
General information	1
Scope of this manual	1
Model identification	1
Accessories	1
Accessories supplied with the domestic hot water tank	1
Optional equipment	1
Installation of the EKHWS domestic hot water tank	2
Main components	2
Outlook diagram	3
Installation guidelines	3
Installing the domestic hot water tank	3
Connecting the water circuits	3
Field wiring	3
Maintenance	6
Troubleshooting	6
General guidelines	6
General symptoms	6
Technical specifications	6
Domestic hot water tank specifications	6



READ THESE INSTRUCTIONS CAREFULLY BEFORE INSTALLATION. KEEP THIS MANUAL IN A HANDY PLACE FOR FUTURE REFERENCE.

IMPROPER INSTALLATION OR ATTACHMENT OF EQUIPMENT OR ACCESSORIES COULD RESULT IN ELECTRIC SHOCK, SHORT-CIRCUIT, LEAKS, FIRE OR OTHER DAMAGE TO THE EQUIPMENT. BE SURE ONLY TO USE ACCESSORIES MADE BY DAIKIN WHICH ARE SPECIFICALLY DESIGNED FOR USE WITH THE EQUIPMENT AND HAVE THEM INSTALLED BY A PROFESSIONAL.

IF UNSURE OF INSTALLATION PROCEDURES OR USE, ALWAYS CONTACT YOUR DAIKIN DEALER FOR ADVICE AND INFORMATION.

THE UNIT DESCRIBED IN THIS MANUAL IS DESIGNED FOR INDOOR INSTALLATION ONLY AND FOR AMBIENT TEMPERATURES RANGING 0°C~35°C.

INTRODUCTION

General information

Thank you for purchasing this domestic hot water tank.

The EKHWS domestic hot water tank with integrated 3 kW electrical booster heater can be connected to the indoor unit. The domestic hot water tank is available in three sizes: 150, 200 and 300 litre. All models can be floor mounted, while the 150 litre model can be wall mounted as well via option kit EKWBSWW150. The 200 and 300 litre models are also available as 400 V versions.

NOTE

Especially for the United Kingdom

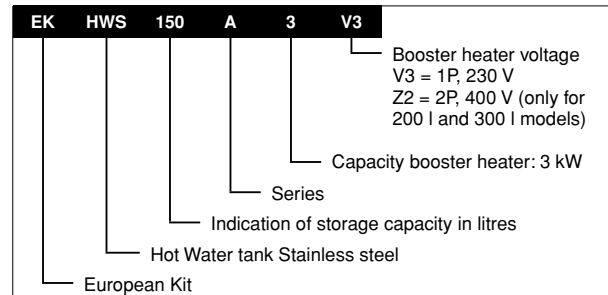


For installation of an EKHWSU domestic hot water tank, refer to the installation manual supplied with the EKUHWA installation kit.

Scope of this manual

This installation manual describes the procedures for unpacking, installing and connecting the EKHWS domestic hot water tanks.

Model identification



ACCESSORIES

Accessories supplied with the domestic hot water tank

See figure 1

- | | |
|---|-------------------------------------|
| 1 | Thermistor + connection wire (12 m) |
| 2 | Contactor - fuse assembly |
| 3 | Contactor fixing screw |
| 4 | Tapping screw |
| 5 | Installation manual |

NOTE



For accessories supplied with the EKHWSU domestic hot water tank, refer to the manual supplied with the EKUHWA installation kit.

Optional equipment

- EKUHWA: installation kit, required for installation of EKHWSU* domestic hot water tanks.
- EKWBSWW150: kit, including a wall bracket for a domestic hot water tank of 150 litres.

INSTALLATION OF THE EKHWS DOMESTIC HOT WATER TANK

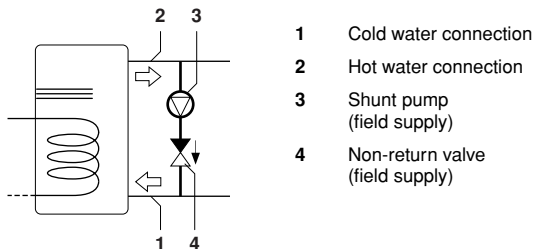
Following descriptions are only for EKHWS*V3 models, not for EKHWSU*V3 models.



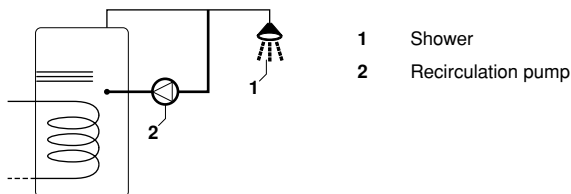
- The total **altherma**[®] by **DAIKIN** system (indoor unit and outdoor unit) is designed for combination with an **altherma**[®] by **DAIKIN** domestic hot water tank. In case another tank is being used in combination with the **altherma**[®] by **DAIKIN** indoor unit, Daikin cannot guarantee neither good operation nor reliability of the system. For those reasons Daikin cannot give warranty of the system in such case.
- Only this tank can be used in combination with the solar kit option.
- Domestic hot water quality must be according to EN directive 98/83 EC.
- A drain device should be installed on the cold water connection on the domestic hot water tank.
- For safety reasons, it is not allowed to add ethylene glycol to the water circuit. Adding ethylene glycol might lead to contamination of the domestic water if a leakage would occur in the heat exchanger coil.
- It is important that the storage capacity of the domestic hot water tank meets normal daily fluctuations in consumption of domestic hot water without any fall of the water outlet temperature during use.
- Immediately after installation, the domestic hot water tank must be flushed with fresh water. This procedure must be repeated at least once a day the first 5 consecutive days after installation.

In case of limited consumption of domestic hot water, e.g. at holiday residences or at houses that are occasionally not occupied, the domestic hot water tank installation must be fitted with a shunt pump.

- The shunt pump can be time-controlled,
- the shunt pump must operate to circulate the complete volume of the domestic hot water tank 1.5 times per hour,
- and the shunt pump must operate, or be programmed for operation, during 2 uninterrupted hours per day at least.



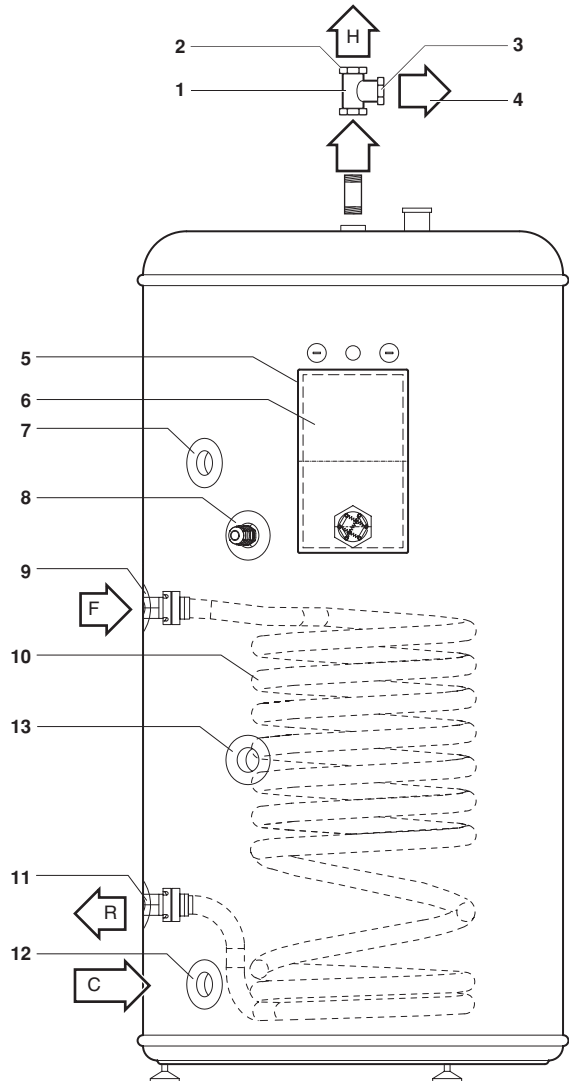
In case of very long field water piping between the domestic hot water tank and the hot water end point (shower, bath, etc.) it can take more time before the hot water from the domestic hot water tank reaches the hot water end point.



If required connect a recirculation pump in between the hot water end point and the recirculation hole in the domestic hot water tank.

NOTE For installation of an EKHWSU domestic hot water tank, refer to the installation manual supplied with the EKUHWA installation kit.

Main components



- 1 Field supply
- 2 Hot water connection
- 3 Pressure relief valve connection
- 4 Pressure relief valve (field supply)
- 5 Electrical box
- 6 Electrical box lid
- 7 Recirculation hole
- 8 Thermistor socket
- 9 Flow inlet connection
- 10 Heat exchanger coil
- 11 Return outlet connection
- 12 Cold water connection
- 13 Threaded thermistor hole for use with solar kit option. Refer to the Installation manual EKSOLHWAV1.

Safety devices



- The domestic hot water tank relief valve connections may not be used for other purpose.
- Do not install heaters without thermal cut-outs.

- Thermal protector — The booster heater in the domestic hot water tank is equipped with a thermal protector. The thermal protector is activated when the temperature becomes too high. When activated, the protector has to be reset on the domestic hot water tank by pressing the red button (for access, remove the electrical box lid).



The electrical box lid must only be opened by a licensed electrician.
Switch off the power supply before opening the electrical box lid.

- Pressure relief valve — A pressure relief valve (field supply) in accordance with relevant local and national regulations, and with an opening pressure of maximum 10 bar must be connected to the pressure relief valve connection.
- If a discharge pipe is connected to the pressure relief device it must be installed in a continuously downward direction and in a frost-free environment. It must be left open to the atmosphere.

Outlook diagram

Outlook diagram, see [figure 2](#).

- 1 Hot water and pressure relief valve connection
- 2 Recirculation hole
- 3 Flow inlet connection from the main indoor unit
- 4 Return outlet connection to the main indoor unit
- 5 Cold water connection
- 6 Domestic hot water tank electrical box cable entry
- 7 Thermistor socket
- 8 Threaded thermistor hole for use with solar kit option. See Installation manual EKSOLHWAV1.
- 9 Domestic hot water tank electrical box cable entry for use with optional solar kit

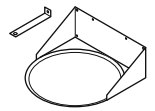
Domestic hot water tank model	H1	H2	H3	H4
EKHWS150A3V3	900	475	185	605
EKHWS200A3V3/Z2	1150	630	200	830
EKHWS300A3V3/Z2	1600	630	200	830

Installation guidelines

Keep in mind the following guidelines when installing the domestic hot water tank:

- The installation location is frost-free.
- Make sure to make the piping in size 1" or more (and reduce to 3/4" at the inlet of the tank) as to have sufficient water volume in the piping between indoor unit and domestic hot water tank.
- Locate the domestic hot water tank in a suitable position to facilitate ease of maintenance; remember access is required to the electrical box. Refer to the grey-coloured zones indicated in [figure 2](#).
- Provide a connection for the pressure relief valve blow-off and drain.
- To avoid back siphonage it is advised to install a non-return valve on the water inlet of the domestic hot water tank in accordance with local and national regulations.
- Take care that in the event of a leak, water can not cause any damage to the installation space and surroundings.

- The domestic hot water tank model EKHWS(U)150A3V3 can be floor or wall mounted. In case of wall mounting, wall mounting kit EKWBSWW150 is required (separate ordering).



Installing the domestic hot water tank

- 1 Check if all domestic hot water tank accessories (see "Accessories" on page 1) are enclosed.
- 2 When floor mounting, place the domestic hot water tank on a level surface. When wall mounting (only for EKHWS(U)150A3V3 model), make sure the wall is sturdy. In both cases, make sure the domestic hot water tank is mounted level.
- 3 Apply thermal paste to the thermistor and insert the thermistor as deep as possible in the thermistor socket. Fix using the nut provided.

Connecting the water circuits

Refer to the chapter "Typical application examples" described in the installation manual delivered with the indoor unit for details on connecting the water circuits and the motorised 3-way valve.



NOTE To install adequate connections between the indoor unit and the domestic hot water tank, it is important that the 3-way valve is fitted correctly.

- 1 Connect the water inlet and water outlet.
- 2 Connect the hot and cold water supply tubes.
- 3 Connect the pressure relief valve (field supply, opening pressure maximum 10 bar) and drain.

Field wiring



- A main switch or other means for disconnection, having a contact separation in all poles, must be incorporated in the fixed wiring in accordance with relevant local and national legislation.
- All field wiring and components must be installed by a licensed electrician and must comply with relevant European and national regulations.
- The field wiring must be carried out in accordance with the wiring diagram supplied with the unit and the instructions given below.
- The domestic hot water tank must be earthed via the indoor unit.

Power circuit and cable requirements



- Be sure to use a dedicated power circuit. Never use a power circuit shared by another appliance.
- Use one and same dedicated power supply for the outdoor unit, indoor unit, backup heater and domestic hot water tank.

For cable requirements and specifications, refer to "Field wiring" in the indoor unit installation manual supplied with the EKHBH/X unit.



NOTE Select the power cable in accordance with relevant local and national regulations.

Thermistor cable

The distance between the thermistor cable and power supply cable must always be at least 5 cm to prevent electromagnetic interference on the thermistor cable.

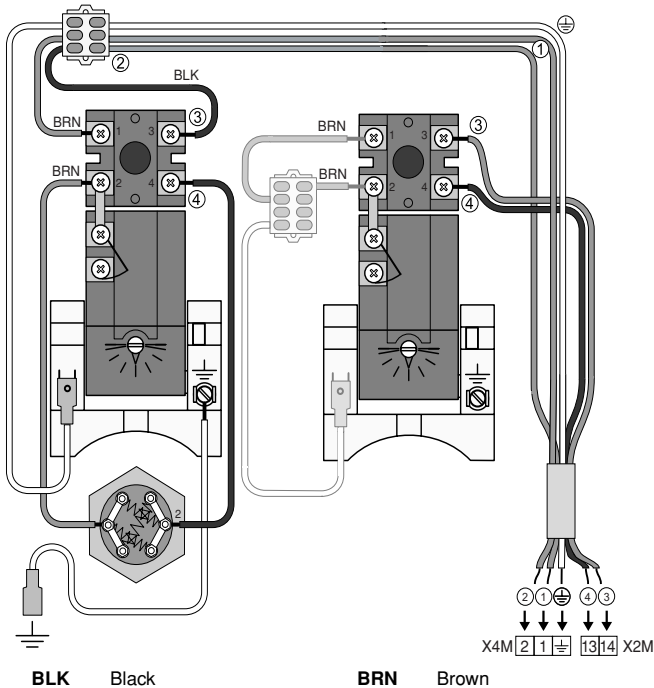
Procedure for EKHWS*Z2



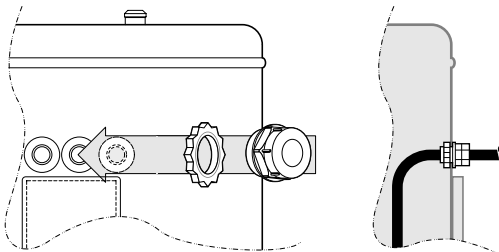
Switch off the power supply before making any connections.

Connections to be made in the domestic hot water tank electrical box

- 1 Connect the booster heater power supply and thermal protection cable as show in the wiring diagram below.



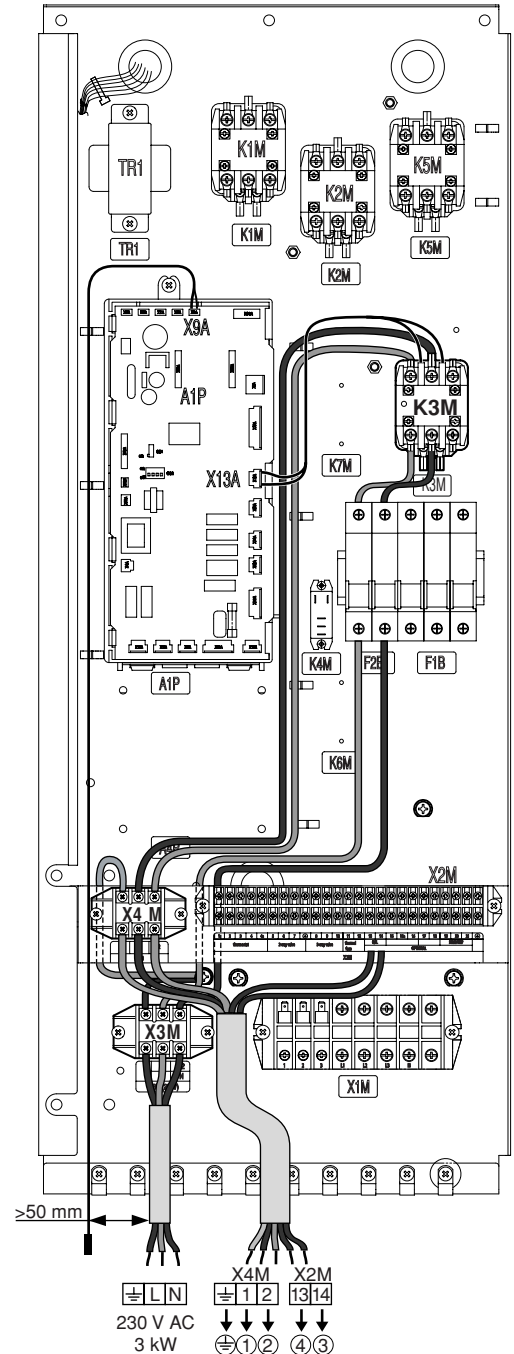
- 2 Make sure to ensure strain relief of the cable by correct use of the PG nipple and PG nut (mounted on the domestic hot water tank).



Connections to be made in the indoor unit switch box

- 3 Mount the prewired contactor (K3M), circuit breaker (F2B) and terminal blocks (X3M, X4M). The contactor must be fixed with the 2 supplied cotactor screws and the terminal blocks must be fixed with the 2x 2 supplied tapping screws.
- 4 Plug the connector connected to the contactor K3M in the socket X13A on the PCB.
- 5 Plug the thermistor cable connector in the socket X9A on the PCB.
- 6 Connect the prewired earth wires of the terminal block X3M and X4M to the earthing screw.
- 7 Connect the booster heater power supply and thermal protection cable (field supply) to terminal X4M earth, 1, 2, and X2M 13, 14.
- 8 Connect the booster heater power supply cable to the terminal block X3M.
- 9 Fix the cables to the cable tie mountings with cable ties to ensure strain relief.
- 10 Set DIP switch SS2-2 on the PCB to ON.
- 11 When routing out cables, make sure that these do not obstruct mounting of the indoor unit cover.

Note: only relevant field wiring is shown.



MAINTENANCE

In order to ensure optimal availability of the unit, a number of checks and inspections on the unit and the field wiring have to be carried out at regular intervals.



- Before carrying out any maintenance or repair activity, always switch off the circuit breaker on the supply panel, remove the fuses or open the protection devices of the unit.
- Make sure that before starting any maintenance or repair activity, also the power supply to the outdoor unit is switched off.

The described checks must be executed at least **once a year**.

- 1 Domestic hot water tank pressure relief valve (field supply)
Check for correct operation of the pressure relief valve on the domestic hot water tank.
- 2 Domestic hot water tank booster heater
It is advisable to remove lime buildup on the booster heater to extend its life span, especially in regions with hard water. To do so, drain the domestic hot water tank, remove the booster heater from the domestic hot water tank and immerse in a bucket (or similar) with lime-removing product for 24 hours.

TROUBLESHOOTING

This section provides useful information for diagnosing and correcting certain troubles which may occur in the unit.

General guidelines

Before starting the troubleshooting procedure, carry out a thorough visual inspection of the unit and look for obvious defects such as loose connections or defective wiring.

Before contacting your local dealer, read this chapter carefully, it will save you time and money.



When carrying out an inspection on the supply panel or on the switch box of the unit, always make sure that the circuit breaker of the unit is switched off.

When a safety device was activated, stop the unit and find out why the safety device was activated before resetting it. Under no circumstances safety devices may be bridged or changed to a value other than the factory setting. If the cause of the problem cannot be found, call your local dealer

General symptoms

Symptom 1: No water flow from hot taps

POSSIBLE CAUSES	CORRECTIVE ACTION
The main water supply is off.	Check that all shut off valves of the water circuit are completely open.

Symptom 2: Water from hot taps is cold

POSSIBLE CAUSES	CORRECTIVE ACTION
The thermal cut-out(s) has/have operated	<ul style="list-style-type: none"> • Check and reset button(s). • Check if thermistor is correctly installed in thermistor socket.
The indoor unit (EKHBH/X) is not operating.	Check the indoor unit (EKHBH/X) operation. Refer to the manual delivered with the indoor unit. If any faults are suspected, contact your local dealer.

Symptom 3: Intermittent water discharge

POSSIBLE CAUSES	CORRECTIVE ACTION
Thermal control failure (water will be hot).	Switch off power to the indoor unit. When discharge has stopped, check the thermal controls and replace if faulty. Contact your local dealer.
The expansion vessel is broken.	Replace the expansion vessel.

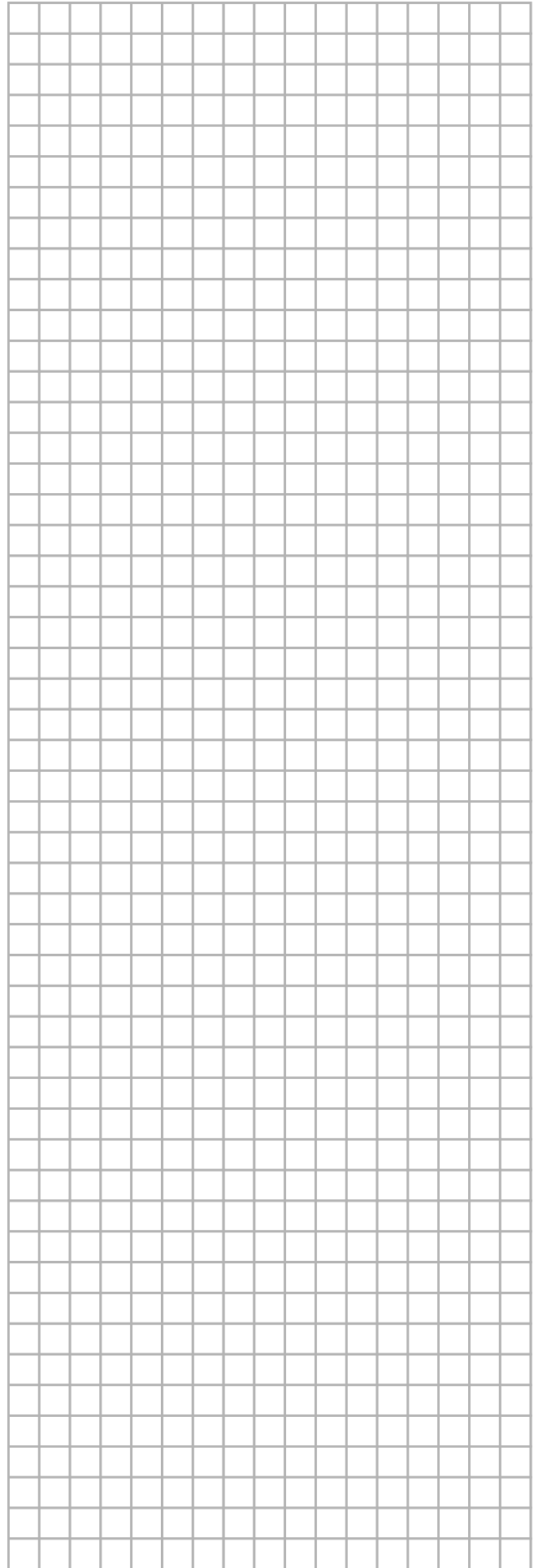
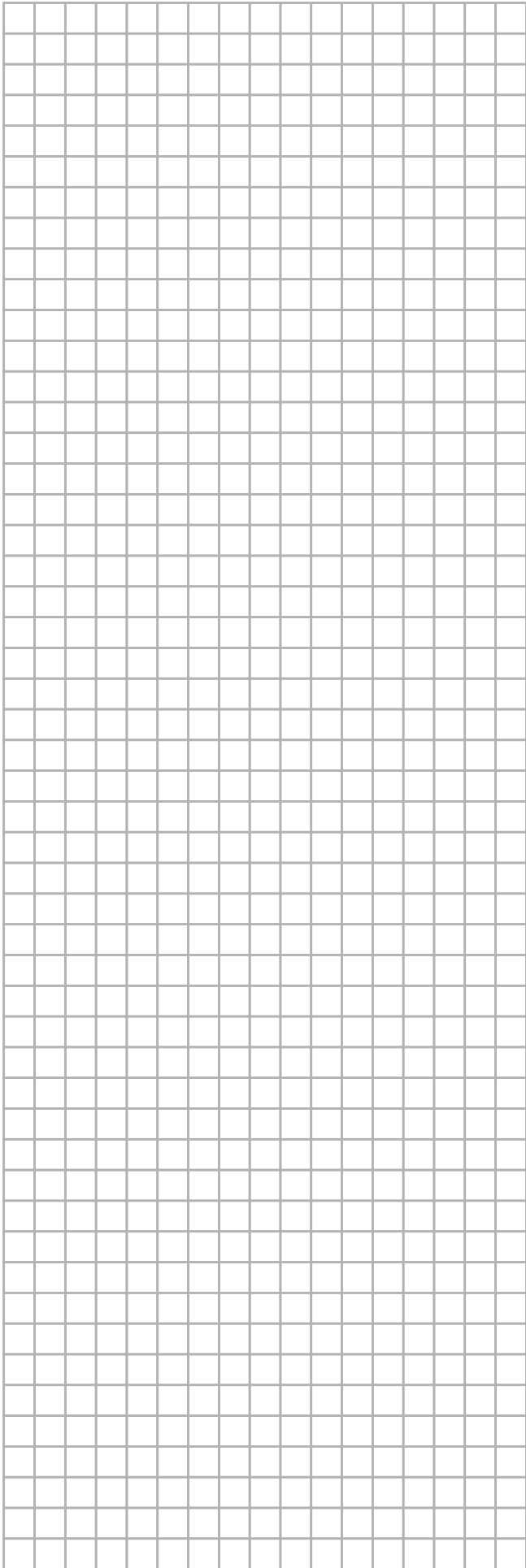
TECHNICAL SPECIFICATIONS

Domestic hot water tank specifications

	EKHWS150A3V3	EKHWS200A3V3	EKHWS200A3Z2	EKHWS300A3V3	EKHWS300A3Z2
Volume	150 l	200 l	200 l	300 l	300 l
Internal heat exchanger volume	2 l	3 l	3 l	3 l	3 l
Overall dimensions (Ø x H)	580 x 900 mm	580 x 1150 mm	580 x 1150 mm	580 x 1600 mm	580 x 1600 mm
Booster heater, power supply	230 V 50 Hz 1P	230 V 50 Hz 1P	400 V 50 Hz 2P	230 V 50 Hz 1P	400 V 50 Hz 2P
Booster heater, running current	13 A	13 A	7.5 A	13 A	7.5 A
Booster heater, capacity	3 kW	3 kW	3 kW	3 kW	3 kW
Connections	3/4" FBSP ^(a)	3/4" FBSP ^(a)	3/4" FBSP ^(a)	3/4" FBSP ^(a)	3/4" FBSP ^(a)
Weight (empty)	37 kg	45 kg	45 kg	59 kg	59 kg
Mounting	Wall or floor	Floor	Floor	Floor	Floor

(a) FBSP = Female British Standard Pipe

NOTES





4PW42336-1 00000005

Copyright © Daikin

DAIKIN EUROPE N.V.

Zandvoordestraat 300, B-8400 Oostende, Belgium

4PW42336-1