

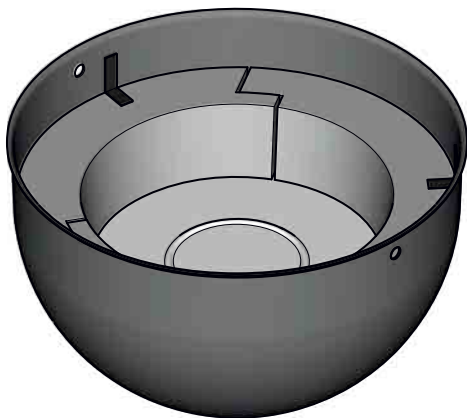


a member of **DAIKIN** group

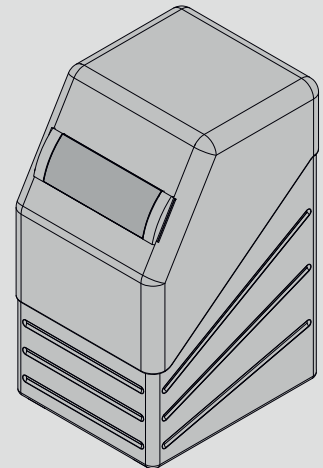
ROTEX

NRS-BKE

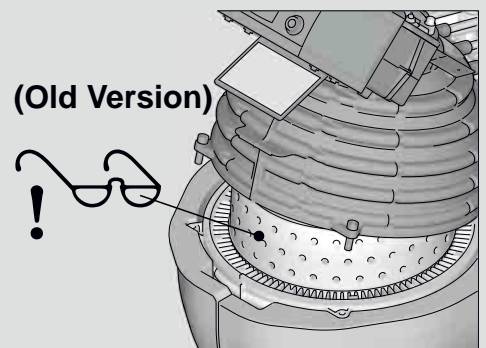
E1500431



ROTEX
A1 BO / A1 BG

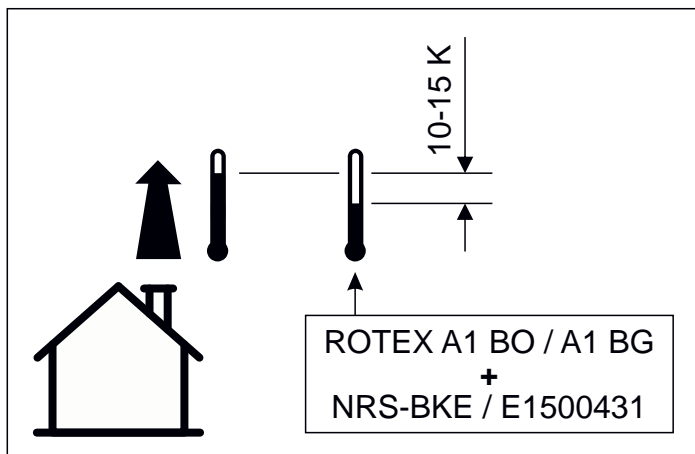


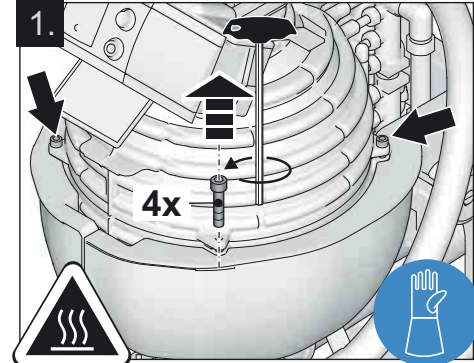
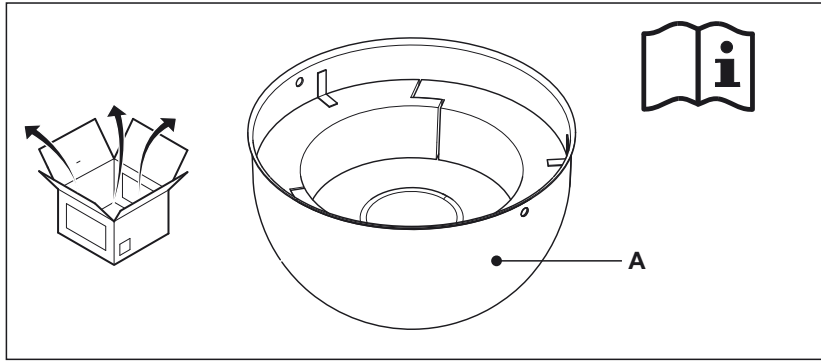
I ROTEX A1 BO 20i



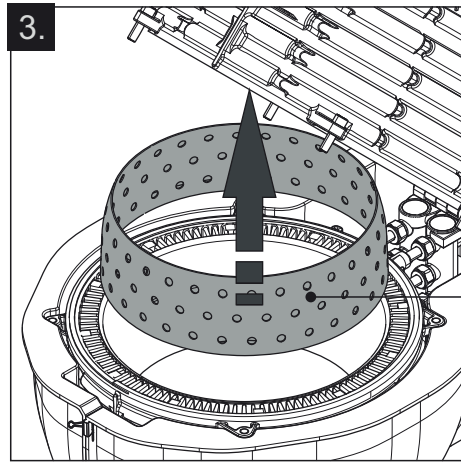
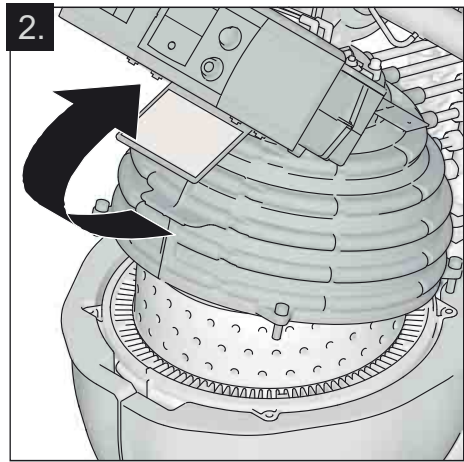
II ROTEX A1 BO

III ROTEX A1 BG

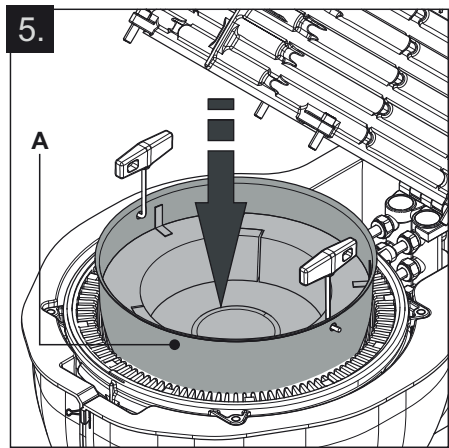
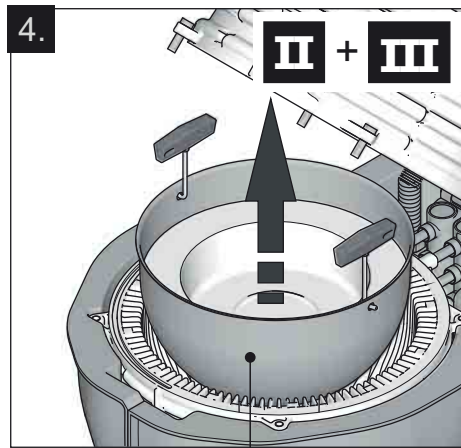
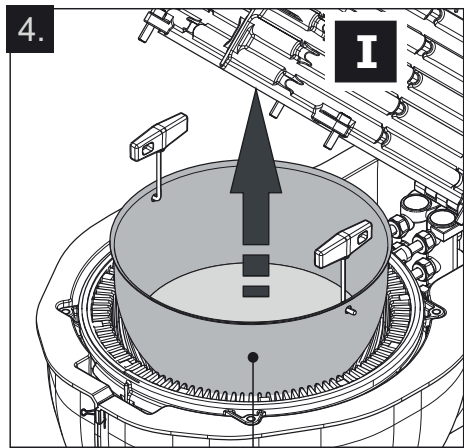




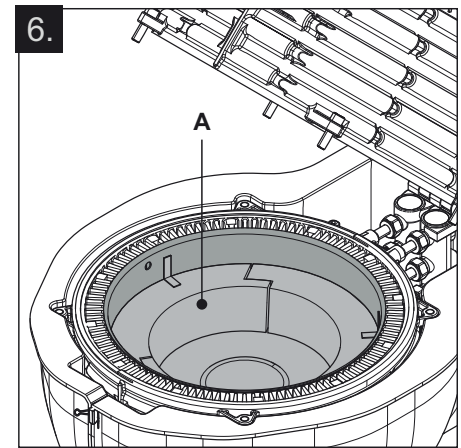
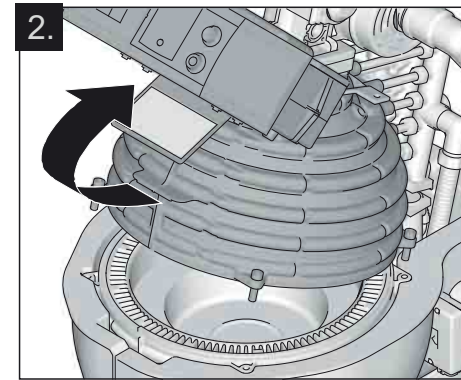
I ROTEX A1 BO 20i (old)



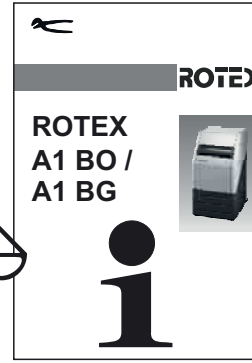
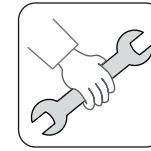
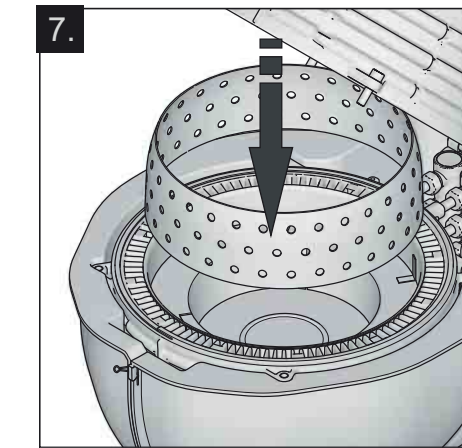
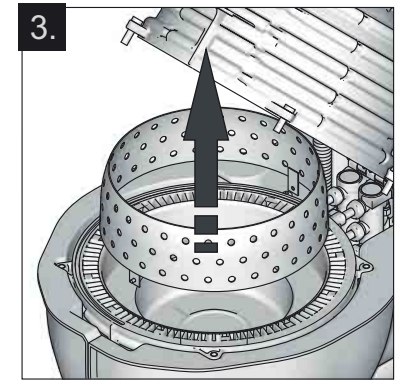
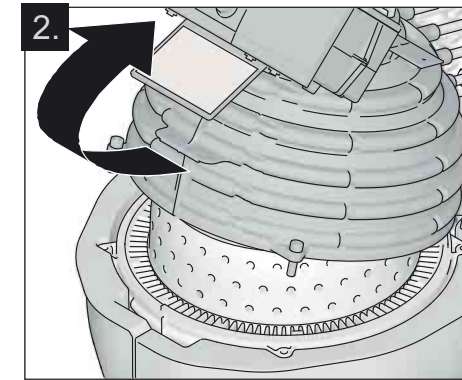
(A1 BO 20i) →



II ROTEX A1 BO



III ROTEX A1 BG



a member of **DAIKIN** group

ROTEX

ROTEX Heating Systems GmbH
Langwiesenstraße 10
D-74363 Güglingen
www.rotex-heating.com