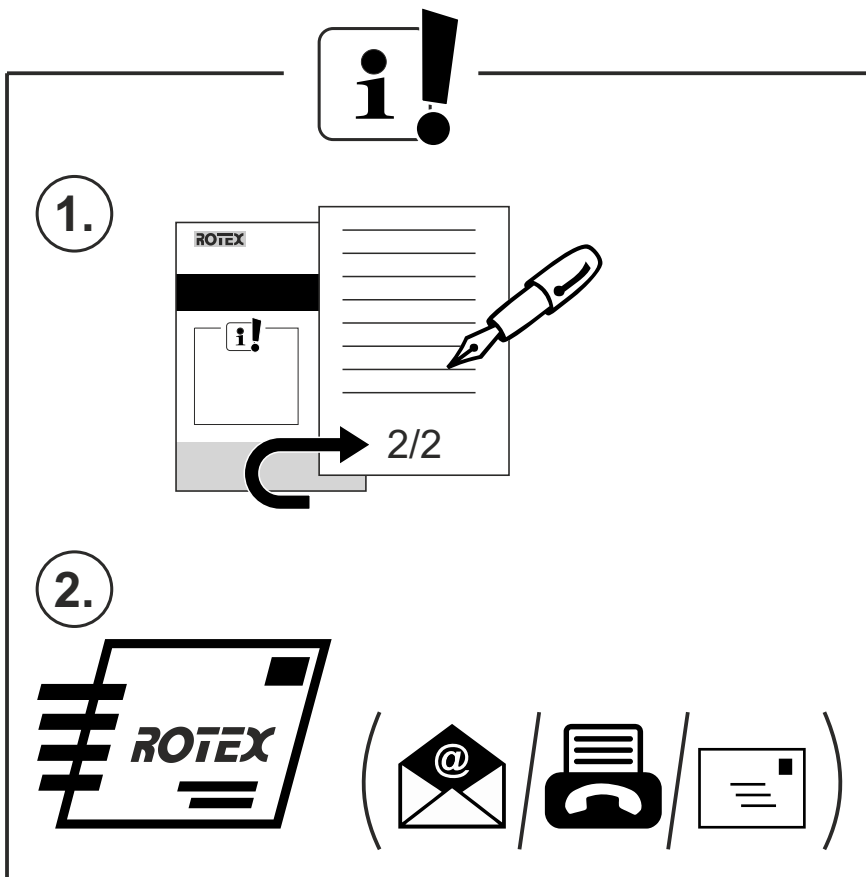


ROTEX

a member of **DAIKIN** group

A1 BO-e Installation and instruction certificate



Installation and
instruction certificate
A1 Bo-e

English



ROTEX products distributed in UK:
DAIKIN AIR CONDITIONING UK Ltd.
The Heights, Brooklands, Weybridge
KT13 0NY Surrey
Fon +44 845 641 90 00
Fax +44 845 641 90 09
www.daikin.co.uk

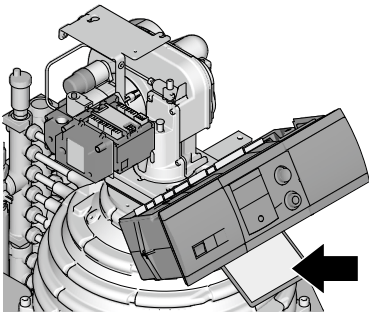
ROTEX Heating Systems GmbH
Langwiesenstraße 10
D-74363 Güglingen
www.rotex-heating.com



ROTEX Heating Systems GmbH accepts the guarantee with respect to the end customer with reference to material and manufacturing faults in accordance with the guarantee conditions (see below). There will only be a valid guarantee liability if the equipment has been installed and commissioned by an expert company, and if this form has been completed in full and returned to the sales partner quoted below. Please have this confirmed by your installation company in writing on this instruction certificate.

Equipment data ROTEX A1 BO-e

Type _____
Mfr. No. _____



(Type and manufacturer's no. – see identification plate under the boiler control panel)

Hot water storage tank:

Type: _____ Mfr. No. _____

Oil burner commissioning measurement report

Nominal thermal load	_____	kW
Nozzle	_____	
Oil pressure	_____	bar
CO ₂	_____	%
O ₂	_____	%
CO	_____	ppm
Soot index	_____	
Chimney draught	_____	mbar
Temperature in flue gas line	_____	°C
CO ₂ in air drawn in	_____	%
Temperature of air drawn in	_____	°C
Other items	_____	

Buyer

Name _____
Street _____
Zip code _____ Town _____
Phone _____

I have been instructed in the operation. I have been handed the operating instruction manual.

Customer signature

ROTEX recommends that, for the operational security of your heating system, you take out a maintenance contract, and that the maintenance work carried out and the measured values determined be recorded in the operational logbook. Please enter the values set during commissioning in the table on the right.

Installation company

Name _____
Street _____
Zip code _____ Town _____
Phone _____

The listed unit was installed properly by us on the _____ and then handed over to the customer.

Signature of installation company

Data protection clause

All the signatories and receivers of this form commit not handing the personal details contained therein to third parties without specific agreement.

Guarantee conditions

The legal guarantee conditions fundamentally apply. Our warranty conditions beyond that can be found online on your sales representative's webpage.

Copy

Original:	--> ROTEX	<input type="checkbox"/>
1st. Copy:	--> customer	<input type="checkbox"/>
2nd. Copy:	--> installation company	<input type="checkbox"/>



a member of **DAIKIN** group