

DAIKIN

AIR INTAKE AND OUTLET GRILLES KIT EKMXXSV - EKMXXIS - EKMXXCA - EKMXXIC

Warnings

- ⚠ This instruction is an integral part of the booklet of the appliance on which the kit is installed. Please consult this booklet for general warnings and fundamental safety rules.
- ⚠ For a rapid and right assembly of the components follow carefully the sequences described in the various sections.
- ⚠ All the operations must be performed by qualified personnel using the required Personal Protective Equipment.

Description

The aesthetic grilles are available in four models based on installation and profile type:

- air intake grille with straight profile
- air outlet with straight profile
- air intake grill with curved profile

- air outlet with curved profil

They are available in two different colours:

- white
- grey

Coding

⚠ **The aesthetic grilles can only be combined with the FWXM models for the version with ducted delivery.**

They should be installed in combination with plenums:

- Insulated 90° curved air delivery duct

- air intake connection
- telescopic in sulated air supply channel

⚠ For instructions on plenums, please refer to the specific accessory instruction sheets.

Air intake grill with straight profile

Code	Description	Match
Colour grey		
EKM10IS	air intake grill with straight profile colour grey	FWXM10-(R)
EKM15IS	air intake grill with straight profile colour grey	FWXM15-(R)
EKM20IS	air intake grill with straight profile colour grey	FWXM20-(R)
Colour white		
EKM10IS9010	air intake grill with straight profile colour white	FWXM10-(R)
EKM15IS9010	air intake grill with straight profile colour white	FWXM15-(R)
EKM20IS9010	air intake grill with straight profile colour white	FWXM20-(R)

Air outlet grill with straight profile

Code	Description	Match
Colour grey		
EKM10SV	air outlet grill with straight profile colour grey	FWXM10-(R)
EKM15SV	air outlet grill with straight profile colour grey	FWXM15-(R)
EKM20SV	air outlet grill with straight profile colour grey	FWXM20-(R)
Colour white		
EKM10SV9010	air outlet grill with straight profile colour white	FWXM10-(R)
EKM15SV9010	air outlet grill with straight profile colour white	FWXM15-(R)
EKM20SV9010	air outlet grill with straight profile colour white	FWXM20-(R)

Air intake grill with curved profile

Code	Description	Match
Colour grey		
EKM10IC	air intake grill with curved profile colour grey	FWXM10-(R)
EKM15IC	air intake grill with curved profile colour grey	FWXM15-(R)
EKM20IC	air intake grill with curved profile colour grey	FWXM20-(R)
Colour white		
EKM10IC9010	air intake grill with curved profile colour white	FWXM10-(R)
EKM15IC9010	air intake grill with curved profile colour white	FWXM15-(R)
EKM20IC9010	air intake grill with curved profile colour white	FWXM20-(R)

Air outlet grill with curved profile

Code	Description	Match
Colour grey		
EKM10CA	air outlet grill with curved profile colour grey	FWXM10-(R)
EKM15CA	air outlet grill with curved profile colour grey	FWXM15-(R)
EKM20CA	air outlet grill with curved profile colour grey	FWXM20-(R)
Colour white		
EKM10CA9010	air outlet grill with curved profile colour white	FWXM10-(R)
EKM15CA9010	air outlet grill with curved profile colour white	FWXM15-(R)
EKM20CA9010	air outlet grill with curved profile colour white	FWXM20-(R)

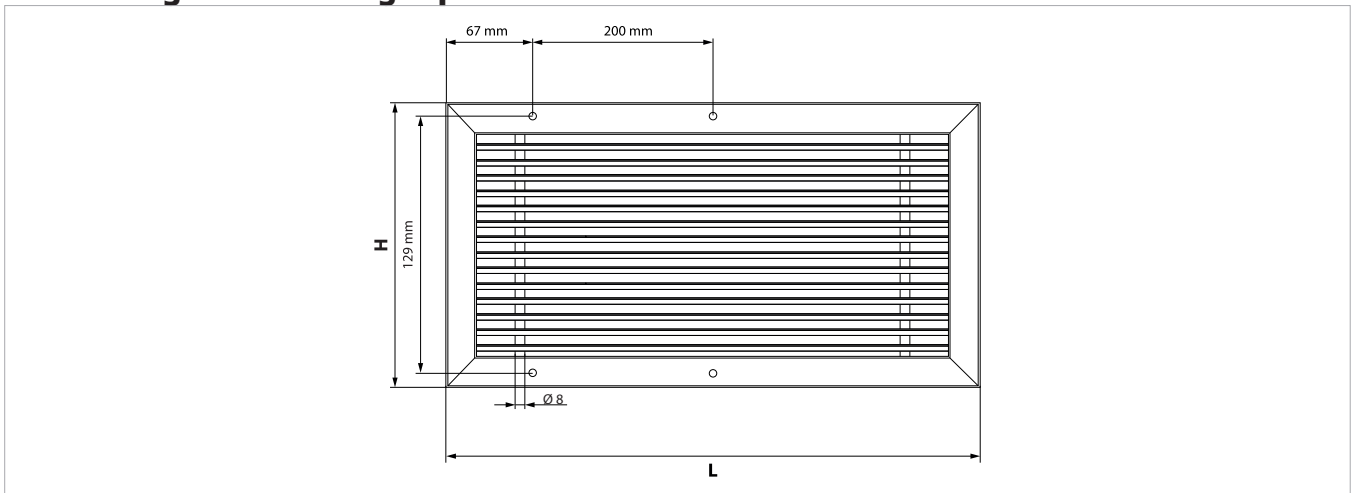
Composition

They are included with the accessories, inside the packaging:

- fixing screws
- screw cover caps (for white grills)
- instruction sheet

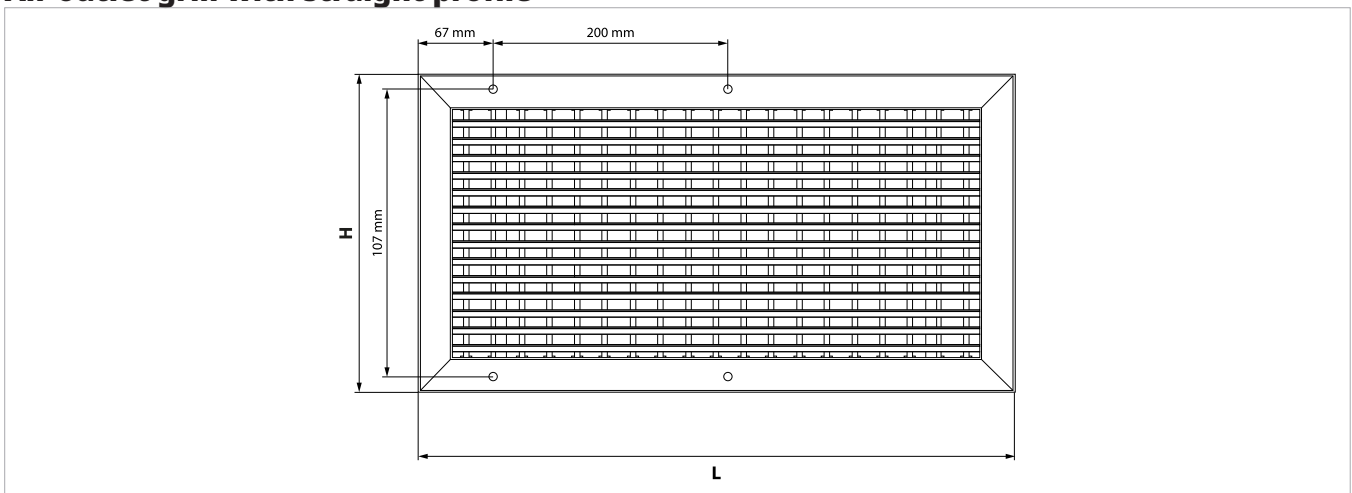
Dimensions

Air intake grill with straight profile



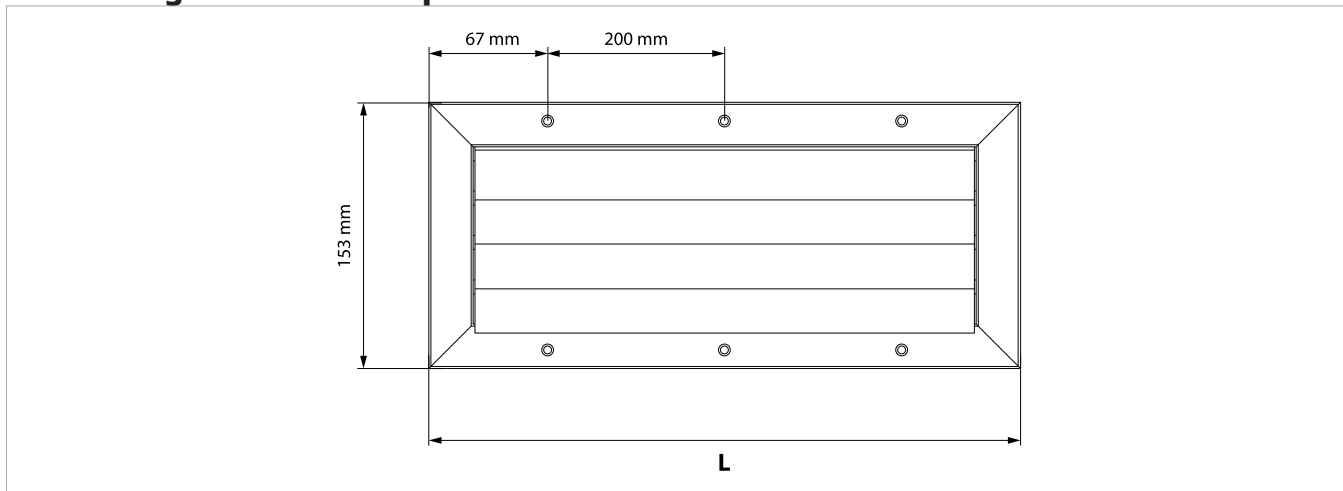
Model		FWXM10	FWXM15	FWXM20
H	mm	153	153	153
L	mm	535	735	935

Air outlet grill with straight profile



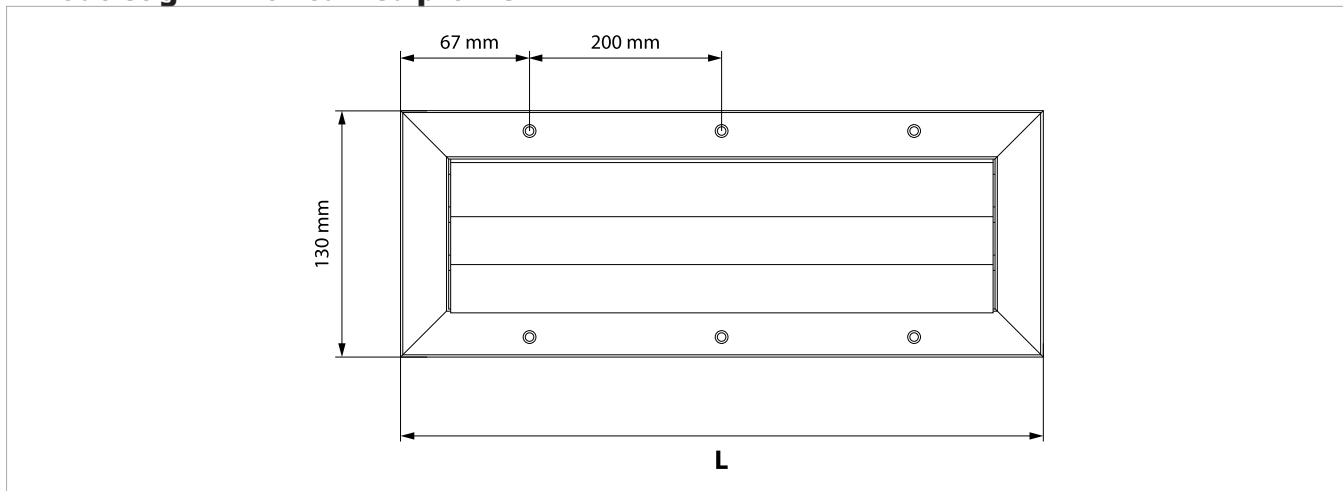
Model		FWXM10	FWXM15	FWXM20
H	mm	130	130	130
L	mm	535	735	935

Air intake grill with curved profile



Model		FWXM10	FWXM15	FWXM20
L	mm	535	735	935

Air outlet grill with curved profile

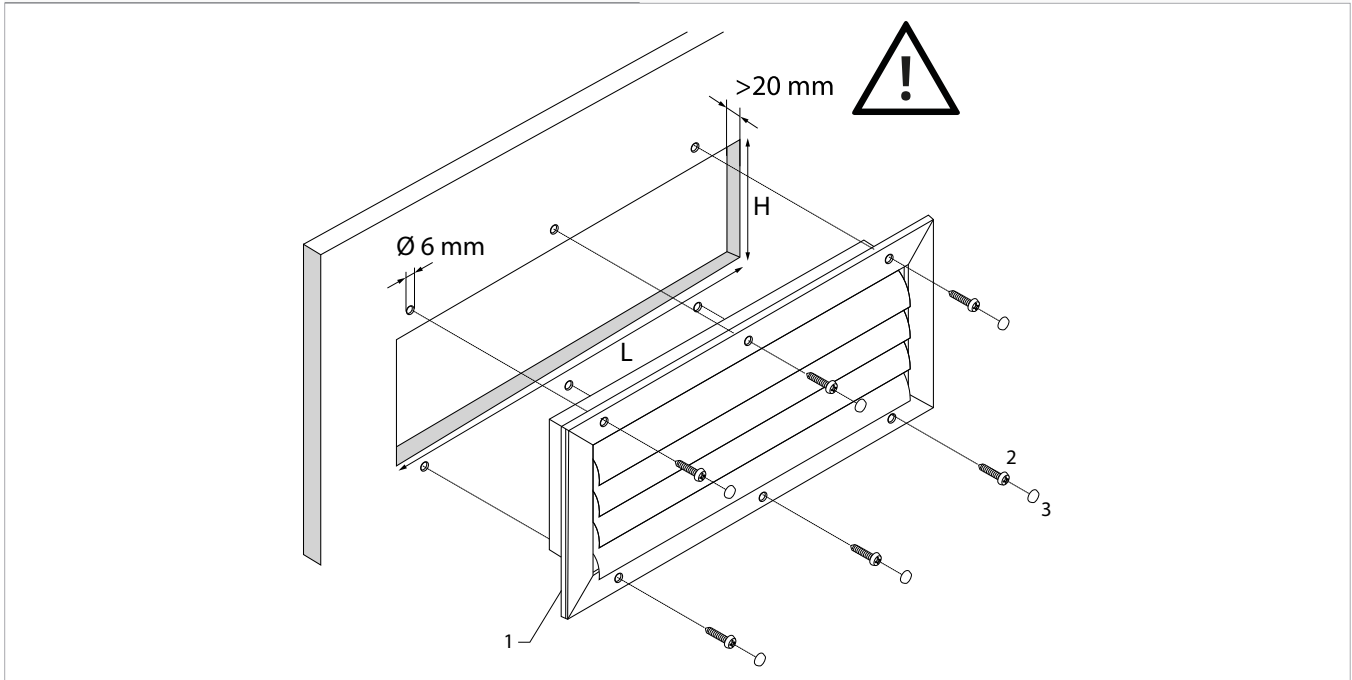


Model		FWXM10	FWXM15	FWXM20
L	mm	535	735	935

Installation

⚠ Before doing any work, make sure that the supply power is disconnect.

- | | |
|---|---|
| <ol style="list-style-type: none"> 1. Grid 2. Screw | <ol style="list-style-type: none"> 3. screw cover cap (for white grills) |
|---|---|



Model		FWXM10	FWXM15	FWXM20
Air intake grill with straight profile / Air intake grill with curved profile				
L	mm	505	705	905
H	mm	125	125	125
Air outlet grill with straight profile / Air outlet grill with curved profile				
L	mm	505	705	905
H	mm	100	100	100

⚠ During installation of the intake grills, a minimum wall thickness of 20 mm must be ensured.

- positioning the grill
- fasten with the provided screws using a cross-head screwdriver

In the case of white grills:

- place white screw caps