



INSTALLATION MANUAL

VRV[®] III System air conditioner

REYQ8PY1B
REYQ10PY1B
REYQ12PY1B
REYQ14PY1B
REYQ16PY1B

Installation manual
VRV[®] III System air conditioner

English

Installationsanleitung
VRV[®] III System Klimaanlage

Deutsch

Manuel d'installation
Conditionneur d'air VRV[®] III System

Français

Manual de instalación
Sistema de acondicionador de aire VRV[®] III

Español

Manuale di installazione
Condizionatore d'aria a sistema VRV[®] III

Italiano

Εγχειρίδιο εγκατάστασης
Κλιματιστικό με σύστημα VRV[®] III

Ελληνικά

Installatiehandleiding
Airconditioner met VRV[®] III System

Nederlands

Manual de instalação
Ar condicionado VRV[®] III System

Portugues

Руководство по монтажу
Кондиционер системы VRV[®] III

Русский

Montaj elkitabı
VRV[®] III System Klima

Türkçe

DAIKIN INDUSTRIES, LTD.

RXYQ5PY1(E), RXYQ8PY1(E), RXYQ10PY1(E), RXYQ12PY1(E), RXYQ14PY1(E), RXYQ16PY1(E), RXYQ18PY1(E),
RXYQ20PY1(E), RXYQ22PY1(E), RXYQ24PY1(E), RXYQ26PY1(E), RXYQ28PY1(E),
RXYQ30PY1(E), RXYQ32PY1(E), RXYQ34PY1(E), RXYQ36PY1(E), RXYQ38PY1(E), RXYQ40PY1(E),
RXYQ42PY1(E), RXYQ44PY1(E), RXYQ46PY1(E), RXYQ48PY1(E),
RXYQ50PY1(E), RXYQ52PY1(E), RXYQ54PY1(E),
REYQ8PY1, REYQ10PY1, REYQ12PY1, REYQ14PY1, REYQ16PY1,
REYQ18PY1, REYQ20PY1, REYQ22PY1, REYQ24PY1, REYQ26PY1, REYQ28PY1, REYQ30PY1, REYQ32PY1,
REYQ34PY1, REYQ36PY1, REYQ38PY1, REYQ40PY1, REYQ42PY1, REYQ44PY1, REYQ46PY1, REYQ48PY1,
REYQ8PY1B, REYQ10PY1B, REYQ12PY1B, REYQ14PY1B, REYQ16PY1B,
REMQ8PY1, REMQ10PY1, REMQ12PY1, REMQ14PY1, REMQ16PY1,
BSVQ100PV1, BSVQ160PV1, BSVQ250PV1,

EN60335-2-40,

Low Voltage 2006/95/EC
Machinery Safety 98/37/EC
Electromagnetic Compatibility 89/336/EEC

DAIKIN.TCF.024

TNO

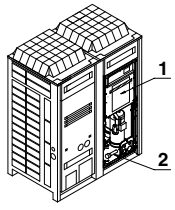
0510260101



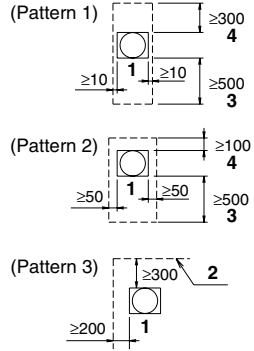
N. Murata

Noboru Murata
Manager Quality Control Department
1st of April 2007

DAIKIN INDUSTRIES, LTD.
Umeda Center Bldg., 4-12, Nakazaki-Nishi 2-chome,
Kita-ku, Osaka, 530-8323 Japan



< If installed as a single unit >



< When installed in serial >

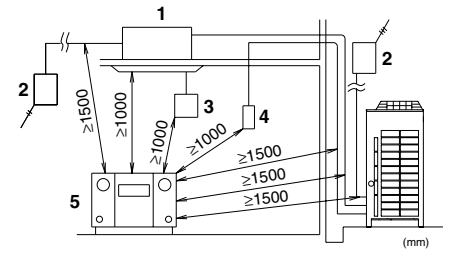
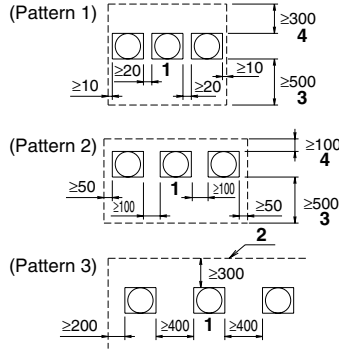


figure 1

figure 2

figure 3

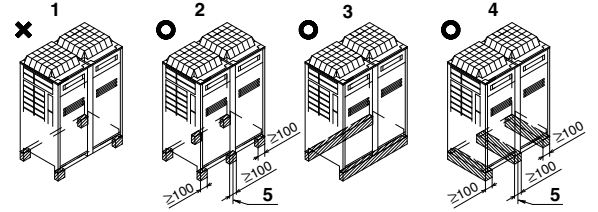
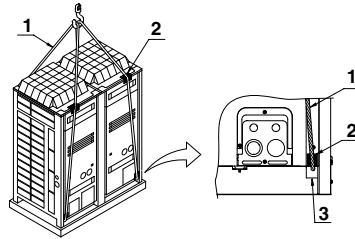
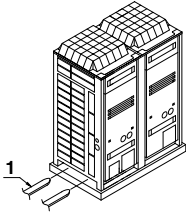


figure 4

figure 5

figure 6

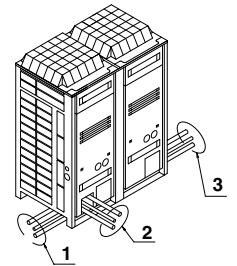
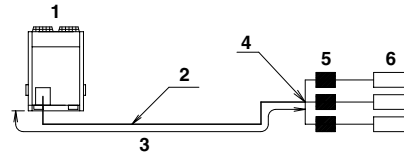
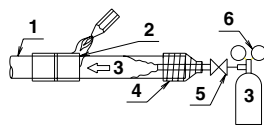
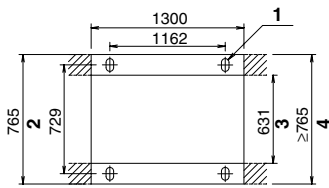


figure 7

figure 8

figure 9

figure 10

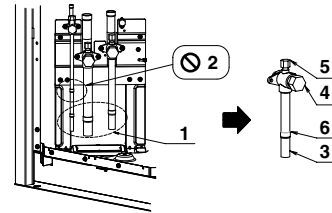
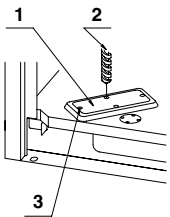


figure 11

figure 12

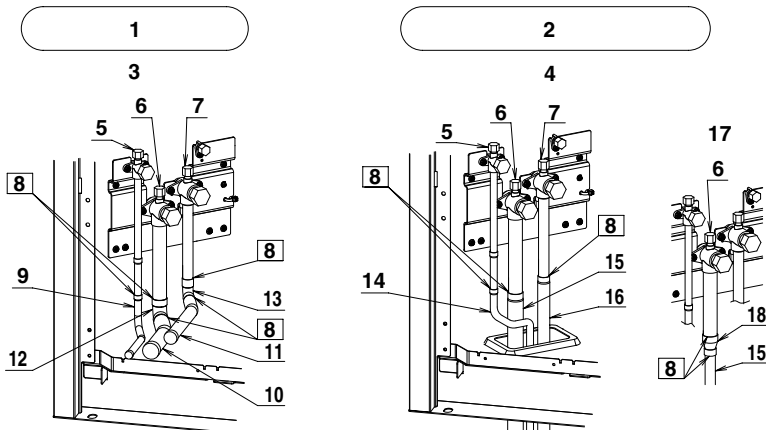


figure 13

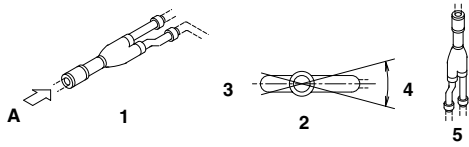


figure 14

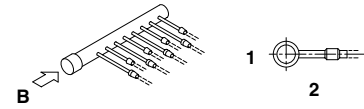


figure 15

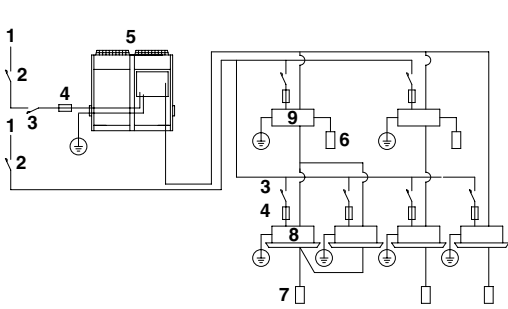


figure 17

figure 18

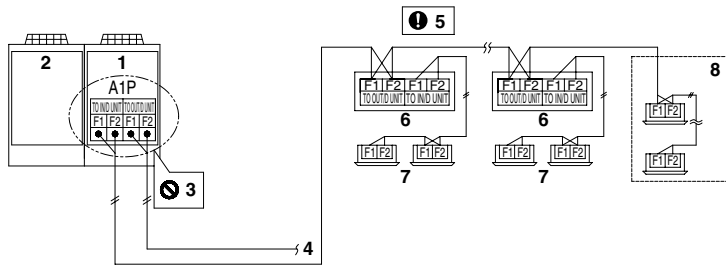
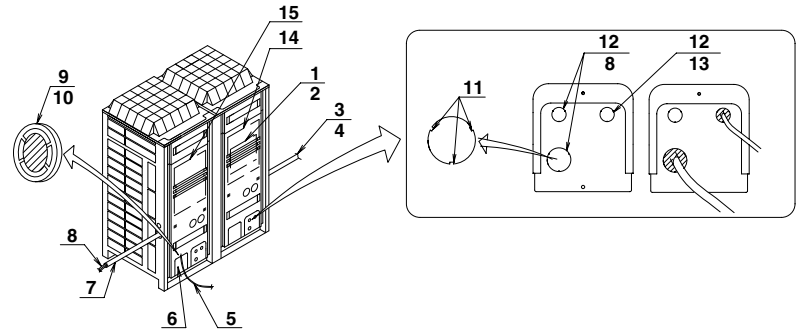


figure 19

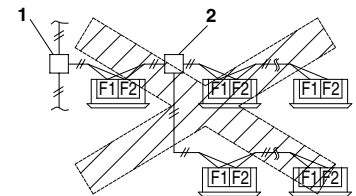


figure 20

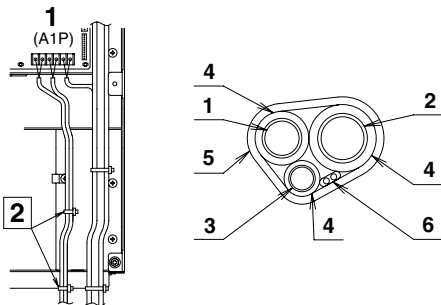


figure 21

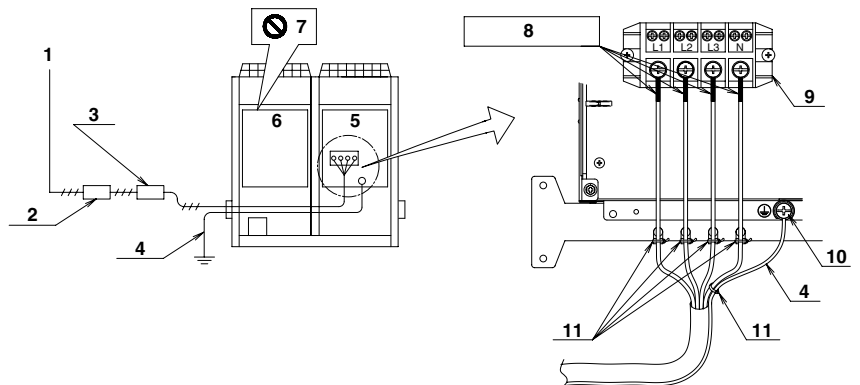


figure 22

figure 23

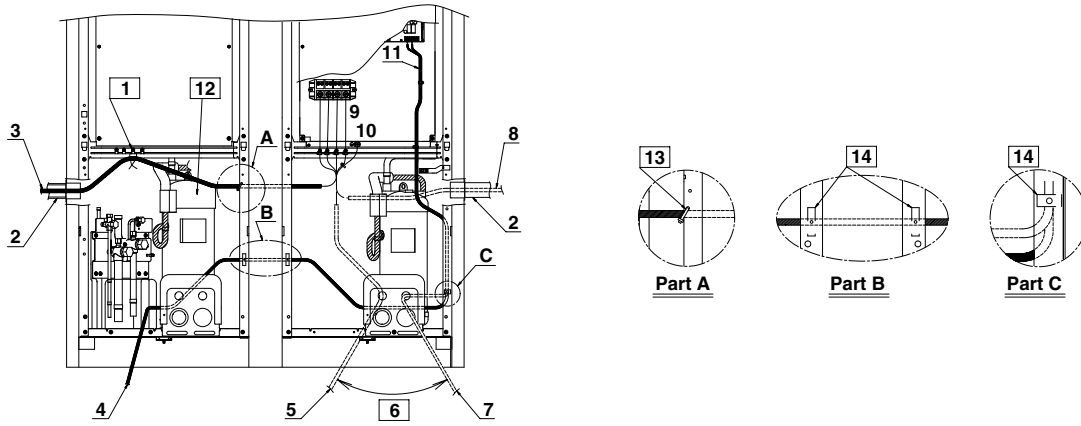


figure 24

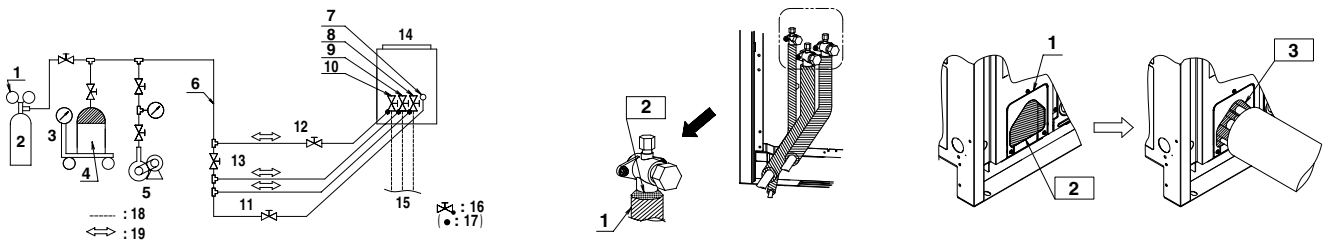


figure 25

figure 26

figure 27

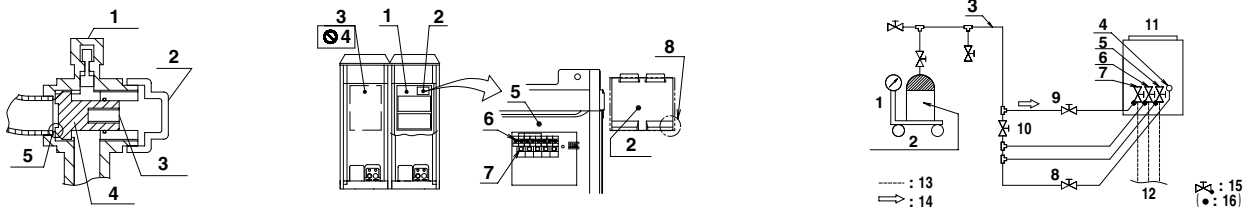


figure 28

figure 29

figure 30

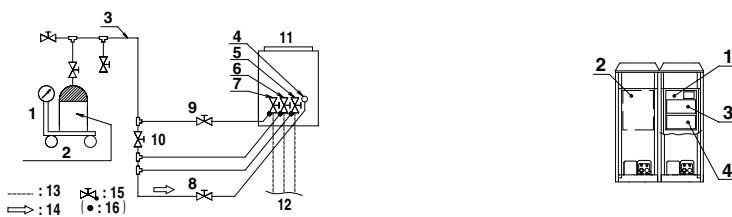


figure 31

figure 32

